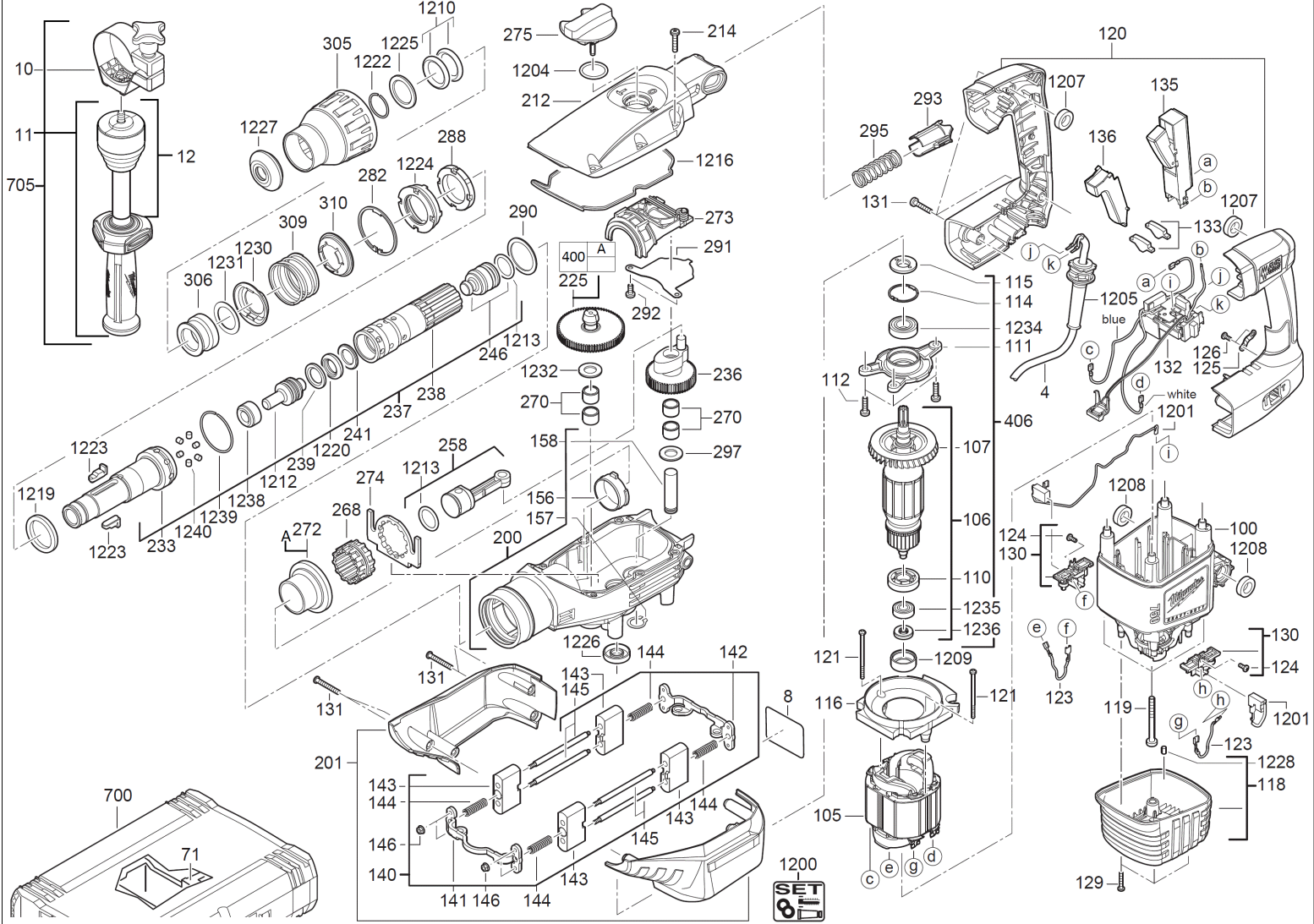


ROTARY HAMMER

4933398753 - K750S - 4000398754



Position	Quantity	Description	Part number	EAN
0004	1	CONNECTION CABLE	4931624585	4002395767748
0008	1	RATING PLATE	4931398756	4002395788224
0010	1	STRIP-BAND	4931398789	4002395794416
0011	1	HANDLE	4931398596	4002395789481
0012	1	DAMPING ELEMENT	4931449510	4002395178582
0071	1	INSERT	4931398672	4002395788484
0100	1	CASING	4931398611	4002395785353
0105	1	ELECTRIC FIELD	4931426288	4002395834846
0106	1	ARMATURE	4931426278	4002395834730
0107	1	FAN	4931398185	4002395767168
0110	1	DUST SEAL	4931398508	4002395768714
0111	1	BEARING END PLATE	4931426441	4002395842131
0112	3	SCREW	4931624541	4002395762019
0114	1	LOCKING RING	4931890311	4002395706297
0115	1	SEAL RING	4931398198	4002395767281
0116	1	AIR DEFLECTOR RING	4931398612	4002395785322
0118	1	MOTOR CAP	4931398613	4002395785360
0119	4	SCREW D7500-1CE M6x60 T30 TAPT 2000 A2F	4931624542	4002395762026
0120	1	PAIR HANDLE SHELLS	4931398208	4002395759385
0121	2	SCREW	4931364667	4002395664740
0123	2	WIRE	4931624263	4002395724819
0124	4	SCREW	4931624538	4002395760039
0125	1	CABLE COLLAR	4931256500	4002395586547
0126	2	SCREW	4931624538	4002395760039
0129	4	SCREW N874101-1 SHR H-K4X22 T15	4931624517	4002395757381
0130	2	BRUSH HOLDER	4931381694	4002395780303
0131	7	SCREW	4931624504	4002395756148
0132	1	ELECTRIC ELEMENT	4931398673	4002395787609
0133	2	LIGHT PIPE	4931398114	4002395756063
0135	1	SWITCH	4931375458	4002395711529
0136	1	PUSH-BUTTON	4931398531	4002395776627
0140	1	SHOCK ABSORBER	4931398660	4002395786800
0141	1	BRACKET	4931398661	4002395788439
0142	1	AVS-Rear Girder	4931398665	4002395788446
0143	4	AVS-COUNTER WEIGHT	4931398662	4002395788422
0144	4	PRESSURE SPRING	4931398664	4002395906758
0145	4	GUIDE BAR	4931398663	4002395784509
0146	4	NUT	4931398666	4002395785391
0156	1	BEARING	4931398095	4002395753475
0157	1	PROTECTION WASHER	9170315810	4002395570645
0158	1	BEARING BOLT	4931398746	4002395789955
0200	1	GEAR BOX	4931409533	4002395819041
0201	1	GEAR BOX INSULATION	4931398624	4002395785056
0212	1	GEAR BOX COVER	4931426454	4002395846474
0214	6	SCREW	4931624555	4002395764136
0225	1	COUPLING	4931398648	4002395784493
0233	1	DRIVER	4931426171	4002395903269
0236	1	CRANK WHEEL	4931409601	4002395825714
0237	1	SPINDLE KIT	4931398839	4002395826568
0238	1	SPINDLE SLEEVE	4931426170	4002395903252

Position	Quantité	Désignation	Référence	EAN
0239	1	BACK-PRESSURE RING	4931398031	4002395755790
0241	1	CORE LIFTER RING	4931398642	4002395784455
0246	1	PERC. BODY W SEAL	4931398635	4002395784448
0258	1	PISTON COMPL.	4931398792	4002395790838
0268	1	SET COLLAR	4931398078	4002395755769
0270	4	NEEDLE BEARING	4931621847	4002395696192
0272	1	SPINDLE BEVEL GEAR	4931426021	
0273	1	ADJUSTING PIECE	4931398154	4002395760053
0274	1	LOCKING PLATE	4931398075	4002395755936
0275	1	SWITCH	4931398626	4002395788651
0282	1	RING	4931624479	4002395755950
0288	1	THRUST COLLAR	4931398749	4002395790814
0290	1	DISC	4931624499	4002395755967
0291	1	LATCH PLATE	4931398658	4002395787852
0292	2	SCREW	4931624236	4002395717477
0293	1	THRUST PIECE	4931398097	4002395755974
0295	1	PRESSURE SPRING	4931398099	4002395755981
0297	1	DISC	4931624535	4002395760404
0305	1	SLEEVE	4931398744	4002395788989
0306	1	LOCKING LEVER	4931426248	4002395838707
0309	1	PRESSURE SPRING	4931398856	4002395794324
0310	1	INTERLOCK ELEMENT	4931426247	4002395846009
0400	1	REPAIR KIT	4931432431	4002395900237
0406	1	ARMATURE	4931398617	4002395783465
0700	1	CARRYING CASE	4931402576	4002395780266
0705	1	HANDLE	4931398676	4002395789412
1200	1	MAINTENANCE SET	4931398607	4002395789184
1201	1	CARBON BRUSH SET	4931398132	4002395757312
1204	1	O-RING N874701 26X3	4931622166	4002395696963
1205	1	PROTECTING COVER	4931393422	4002395752836
1207	2	DAMPING ELEMENT	4931398748	4002395789917
1208	2	BUSH	4931398101	4002395754588
1209	1	RUBBER SLEEVE	4931398085	4002395753291
1210	2	SEAL RING	4931624440	4002395755226
1212	1	SNAP DIE	4931398639	4002395786794
1213	2	O-RING	4931398297	4002395767175
1216	1	SEAL	4931398539	4002395776665
1219	1	SLEEVE	4931624621	4002395784868
1220	1	CORE LIFTER RING	4931398033	4002395755660
1222	1	SPRING RING	9170319040	4002395571895
1223	2	INTERLOCK ELEMENT	4931398068	4002395755721
1224	1	SEAL RETAINER	4931398790	4002395790210
1225	1	INTERLOCK DISC	4931398080	4002395755899
1226	1	SEAL RING	4931624495	4002395755400
1227	1	RUBBER CAP	4931398064	4002395755677
1228	1	HOLDING-DOWN DEVICE	4931271824	4002395588145
1230	1	REPAIR KIT	4931426013	4002395846009
1231	1	WASHER	4931398298	4002395768127
1232	1	WASHER	4931624586	4002395768257
1234	1	GROOVED BALL BEAR.	4931398189	4002395767304

Position	Quantité	Désignation	Référence	EAN
1235	1	BALL BEARING	4931341741	4002395627004
1236	1	MAGNETIC DISC	4931426570	4002395856497
1238	1	STOP WASHER	4931409781	4002395841813
1239	1	RING	4931398644	4002395784462
1240	6	DRIVER	4931398643	4002395785421