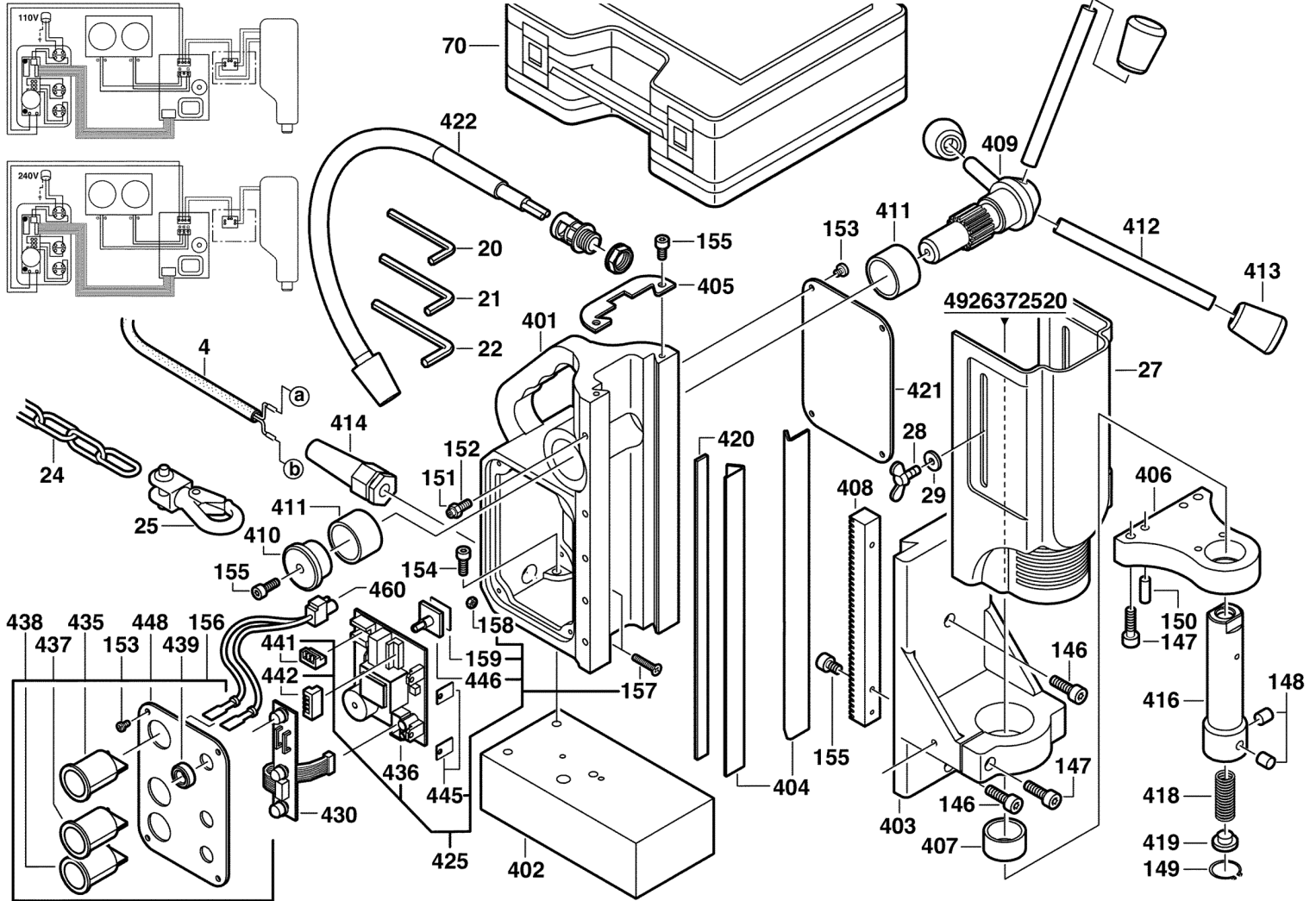


MAGNETIC STAND BASE

4933380832 - MDE42 - 4000380833



| Position | Quantity | Description | Part number | EAN |
|----------|----------|-------------------------|-------------|---------------|
| 0004 | 1 | CONNECTION CABLE | 4931380049 | 4002395688586 |
| 0020 | 1 | KEY D911 2,5MM | 4931606714 | 4002395693733 |
| 0021 | 1 | KEY D911 4 | 4931606738 | 4002395693740 |
| 0022 | 1 | HEX WRENCH D 911 5 GAL | 4931616056 | 4002395694501 |
| 0024 | 1 | SAFETY STRAP | 4931371780 | 4002395674701 |
| 0025 | 1 | HOOK | 4931371781 | |
| 0027 | 1 | SAFTY GUARD | 4931371784 | 4002395674732 |
| 0028 | 1 | VIS A AILETTE | 4931313528 | |
| 0029 | 1 | DISC N874232 6,5X15X1,5 | 4931904642 | 4002395706389 |
| 0070 | 1 | CARRYING CASE | 4931371783 | 4002395674725 |
| 0146 | 2 | SCREW | 4931622928 | 4002395699735 |
| 0147 | 3 | SCREW D 912 M 6X30 8.8 | 4931624082 | 4002395733033 |
| 0148 | 2 | SCREW D 913 M8X8 | 4931622523 | 4002395698196 |
| 0149 | 1 | MAGAZINE | 4931624083 | 4002395705474 |
| 0150 | 2 | CYLINDER PIN | 4931624086 | 4002395733194 |
| 0151 | 5 | NUT D 985 M 5 | 4931618176 | 4002395694921 |
| 0152 | 5 | SCREW D 913 M8X8 | 4931624084 | 4002395720880 |
| 0153 | 4 | SCREW | 4931380067 | 4002395733019 |
| 0154 | 3 | SCREW | 4931623800 | 4002395703975 |
| 0155 | 4 | SCREW D912 M6X16 | 4931607033 | 4002395693887 |
| 0156 | 1 | SWITCH BOARD | 4931380895 | 4002395715763 |
| 0157 | 2 | SCREW D 912 M 6X30 8.8 | 4931624085 | 4002395705481 |
| 0158 | 2 | NUT D 934 M 3 BR | 4931613998 | 4002395694204 |
| 0159 | 1 | DISTANCE HOLDER | 4931380894 | 4002395715756 |
| 0401 | 1 | BODY | 4931380050 | 4002395688593 |
| 0402 | 1 | MAGNETIC FOOT | 4931380051 | 4002395688609 |
| 0403 | 1 | FRAME | 4931380052 | 4002395688616 |
| 0404 | 2 | LEDGE | 4931380053 | 4002395688623 |
| 0405 | 1 | COVER PLATE | 4931380054 | 4002395688630 |
| 0406 | 1 | HOLDER | 4931380055 | 4002395688647 |
| 0407 | 1 | BEARING BRACKET | 4931380056 | 4002395688654 |
| 0408 | 1 | TOOTH RACK | 4931380057 | 4002395688661 |
| 0409 | 1 | FEED SPINDLE | 4931380058 | 4002395688678 |
| 0410 | 1 | END PIECE | 4931380020 | 4002395688333 |
| 0411 | 2 | BEARING BRACKET | 4931380021 | 4002395688340 |
| 0412 | 3 | LEVER | 4931380059 | 4002395688685 |
| 0413 | 3 | HANDLE | 4931380060 | 4002395688692 |
| 0414 | 1 | PROTECTING COVER | 4931380026 | 4002395688388 |
| 0418 | 1 | PRESSURE SPRING | 4931380062 | 4002395688715 |
| 0419 | 1 | THRUST PIECE | 4931380063 | 4002395688722 |
| 0420 | 1 | LEDGE | 4931380064 | 4002395688739 |
| 0421 | 1 | RATING PLATE | 4931380836 | 4002395712977 |
| 0422 | 1 | PROTECTIVE SLEEVE | 4931380065 | 4002395688746 |
| 0425 | 1 | PRINTED CIRC. BOARD | 4931380872 | 4002395715312 |
| 0430 | 1 | ELECTRONIC | 4931380893 | 4002395715343 |
| 0435 | 1 | SWITCH ON-OFF | 4931380043 | 4002395688555 |
| 0436 | 1 | PRINTED CIRC. BOARD | 4931380876 | 4002395731329 |
| 0437 | 1 | SWITCH MAGNETIC | 4931380037 | 4002395688494 |

| | | | | |
|------|---|--------------|------------|---------------|
| 0438 | 1 | SWITCH MOTOR | 4931380038 | 4002395688500 |
| 0439 | 3 | SEAL | 4931380039 | 4002395688517 |

| Position | Quantité | Désignation | Référence | EAN |
|-----------------|-----------------|------------------------------------|------------------|---------------|
| 0441 | 1 | PLUG | 4931380041 | 4002395688531 |
| 0442 | 1 | PLUG | 4931380042 | 4002395688548 |
| 0445 | 2 | PLATE | 4931380045 | 4002395688562 |
| 0446 | 2 | SUPPORT | 4931380046 | 4002395688579 |
| 0448 | 1 | FASTENING BOW | 4931380830 | 4002395712953 |
| 0460 | 1 | CONNECTION CABLE | 4931396235 | 4002395748518 |
| 0416 | 1 | ADAPTER SHANK Adapt 1/2x20-WLDNP1M | 4932372781 | 4002395345694 |